

Solar And Renewable Power System



Solar Power

315W - 335 W

Multi-Crystalline Photovoltaic Module



Positive power tolerance
0~+4.99 watt



Withstand strong front
load 5400 Pa / rear Load 2400 Pa



100% EL inline inspection
Better module reliability



Ammonia resistance



25 years power output warranty



Snail trail resistance



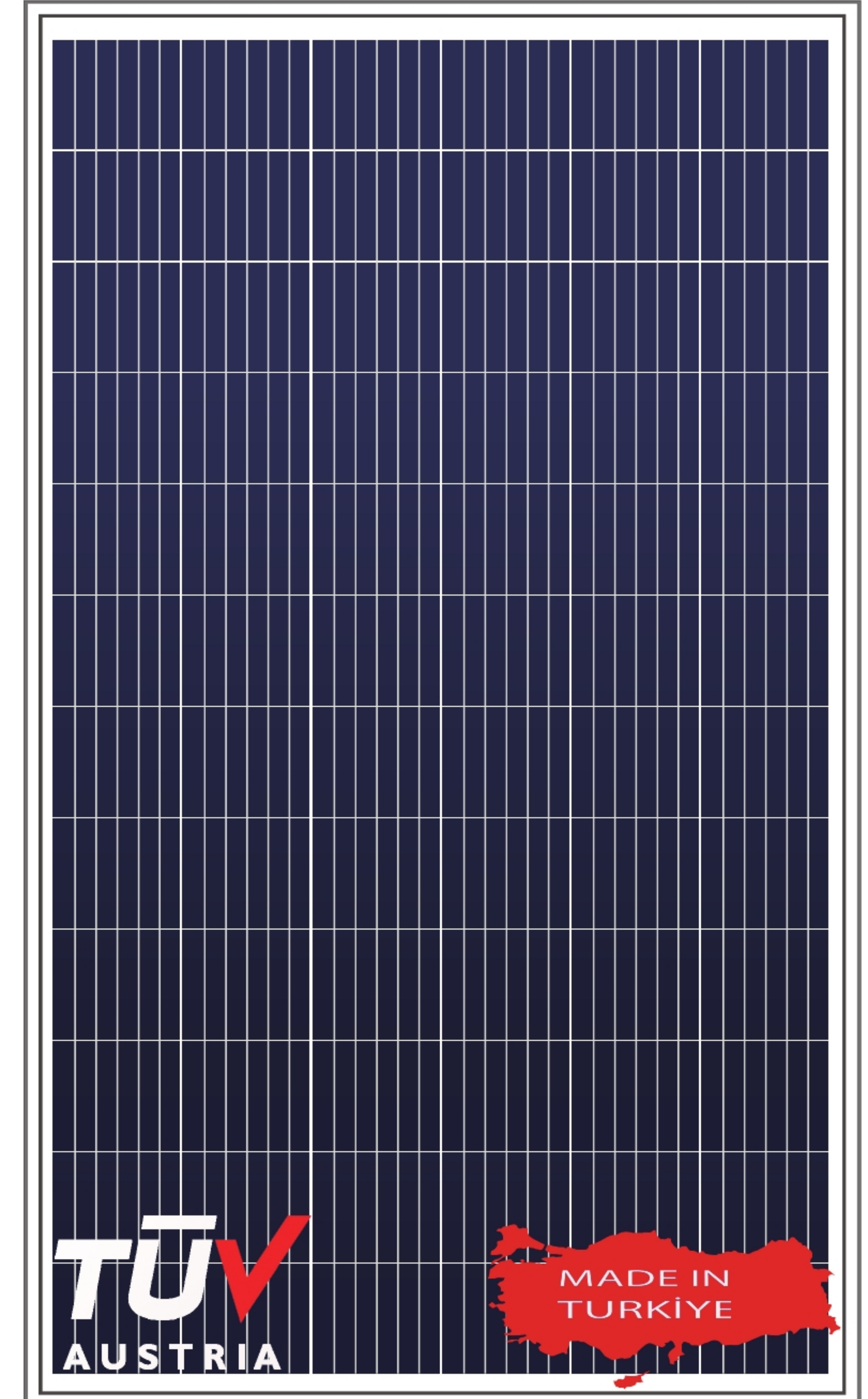
Design for 1500 VDC system voltage
Reduce the system BOS effectively



Harsh environment PV system installation



Excellent PID Performance



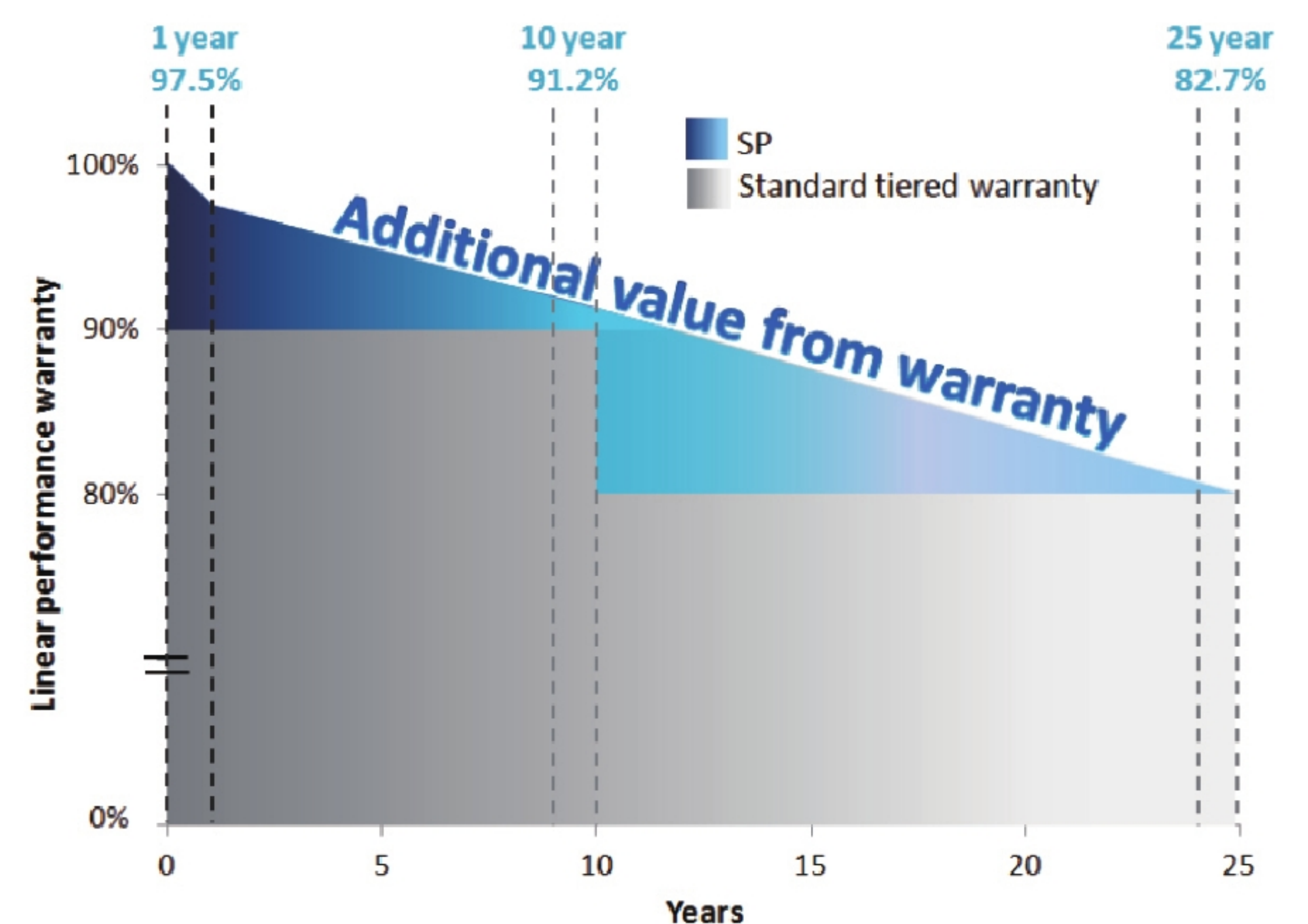
Reliability & Certification

Product guarantee: 10-year

Linear Performance Warranty

- 1-year: 97.5% power output then power degradation 0.7% per year till 25th year
- 25-year: 80.7% power output
- 10-year: 91.2% power output

IEC 61215 / IEC61730, CE, MCS, UL1703, CEC



Solar And Renewable Power System



Electrical Data

MODEL	SP-315P72	SP-320P72	SP-325P72	SP-330P72	SP-335P72
Maximum Rating Power (Pmax)	315 W	320 W	325 W	330 W	335 W
Module Efficiency	16.23%	16.5%	16.75 %	17.01%	17.26%
Open Circuit Voltage (Voc)	45.55 V	45.80 V	45.88 V	45.97 V	46.05 V
Maximum Power Voltage (Vmpp)	37.11 V	37.46 V	37.57 V	37.68 V	37.80 V
Short Circuit Current (Isc)	9.09 A	9.15 A	9.20 A	9.24 A	9.30 A
Maximum Power Current (Impp)	8.50 A	8.56 A	8.67 A	8.78 A	8.88 A

* Standard Test Condition (STC): Cell Temperature 25 °C, Irradiance 1000 W/m², A.M. 1.5.

* Values w/o tolerance are typical numbers.

* Specifications subject to change

Mechanical Data

Item	Specification
Dimension	1956mm (L) ¹ x 992 mm (W) ¹ x 40 mm (D) ² / 77" (L) ¹ x 39.1" (W) ¹ x 1.575" (D) ²
Weight	23 kg / 39.1 lbs
Solar Cell	72 multicrystalline 6" silicon cells
Front Glass	Anti-reflective tempered solar glass, 3.2 mm thickness
Cell Encapsulation	EVA (Ethylene-Vinyl-Acetate)
Back Cover	Composite film, white
Junction Box	IP 68 rated; Cable: 1,200 mm
Frame	Anodized aluminum frame, original or black
Packaging Configuration	30 pcs Per Pallet, 660 pcs Per 40' HQ container

¹ : With assembly tolerance of ± 2 mm [± 0.08"]
² : With assembly tolerance of ± 0.8 mm [± 0.03"]

Operating Conditions

Item	Specification
Mechanical Load	5400 Pa
Maximum System Voltage	DC 1500 V
Series Fuse Rating	15 A
Operating Temperature	-40 to 85 °C

Temperature Characteristics

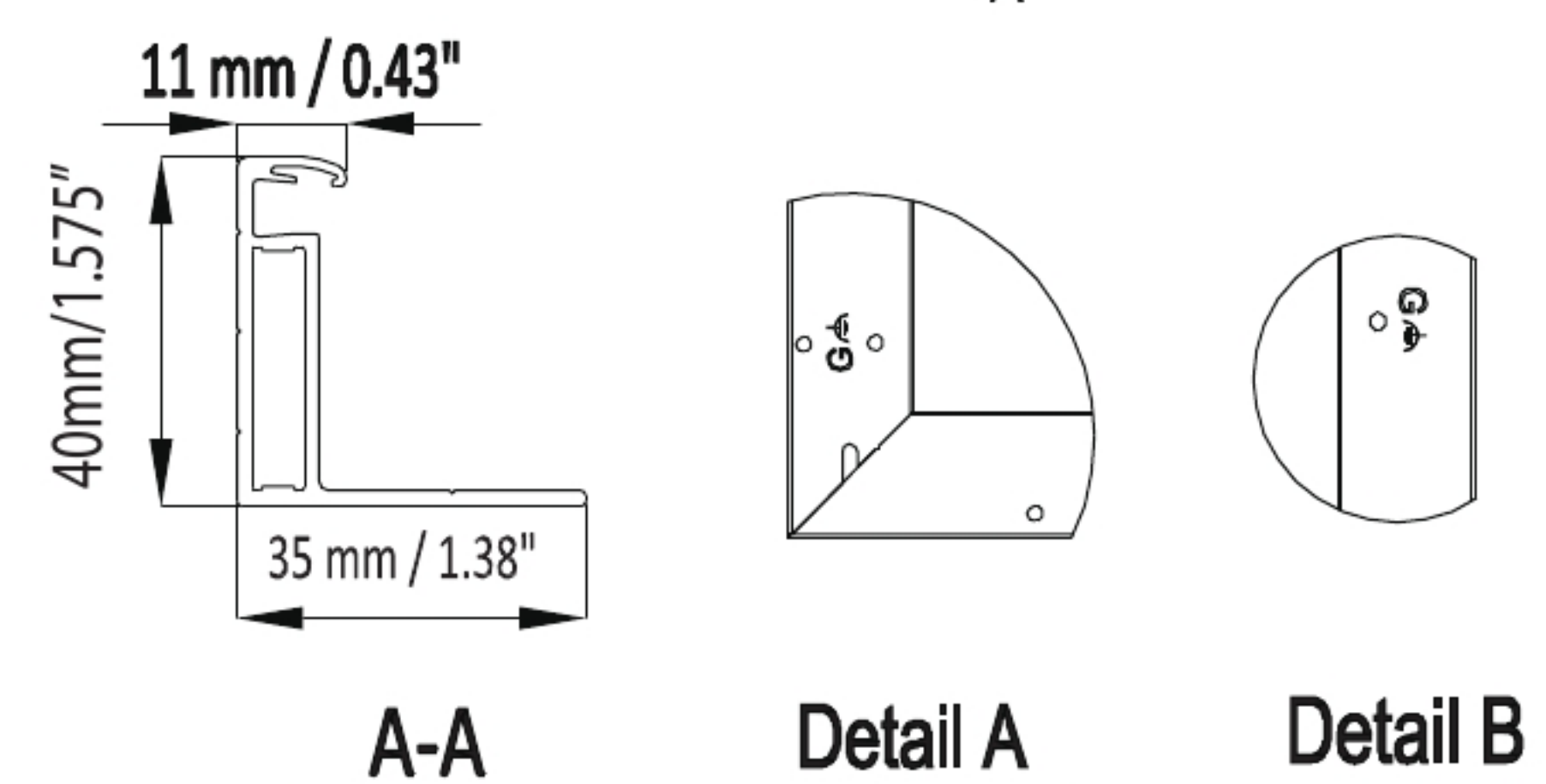
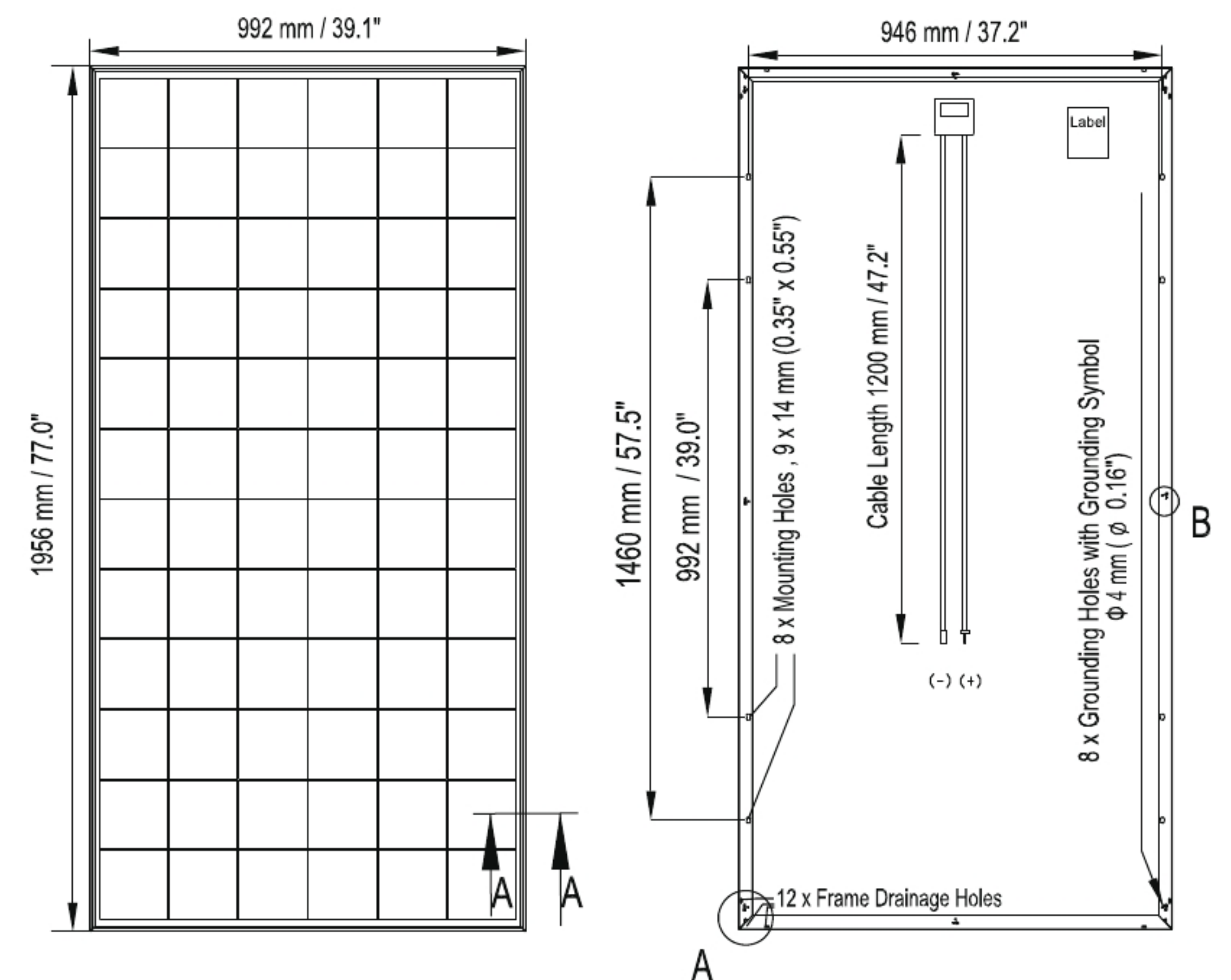
Item	Specification
Nominal Operating Cell Temperature	44°C ± 2°C
Temperature Coefficient of Isc	0,0546 % / °C
Temperature Coefficient of Voc	- 0,3326 % / °C
Temperature Coefficient of Pmax	- 0,422 % / °C

* Nominal Operating Cell Temperature (NOCT): Irradiance 800W/m², Ambient Temperature 20 °C, Wind Speed 1 m/s

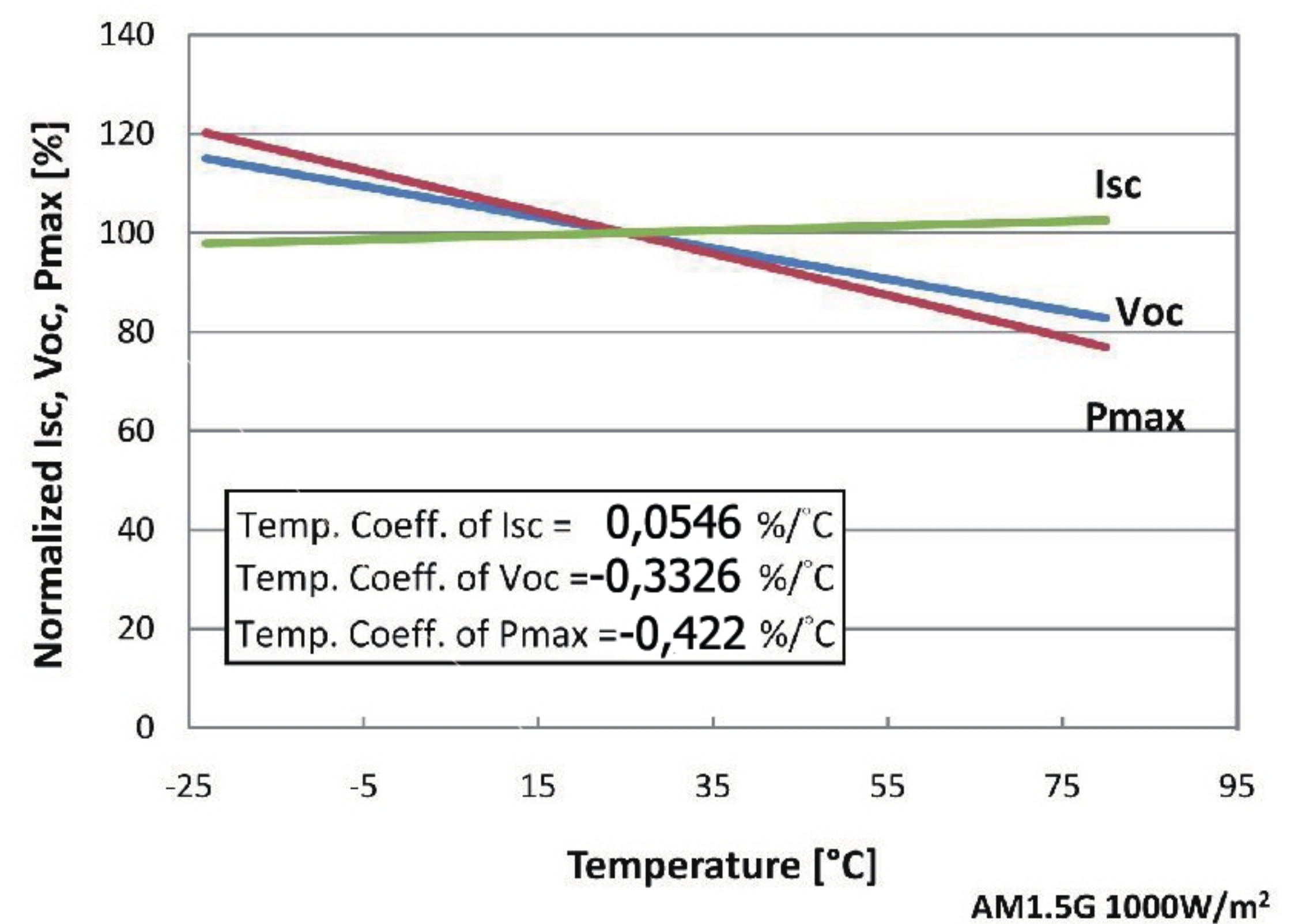
* Please refer to SP's Standard Module Installation Manual before using the product

* Reduction in efficiency from 1000 W/m² to 200 W/m² at 25 °C: 3.5% ± 2 %

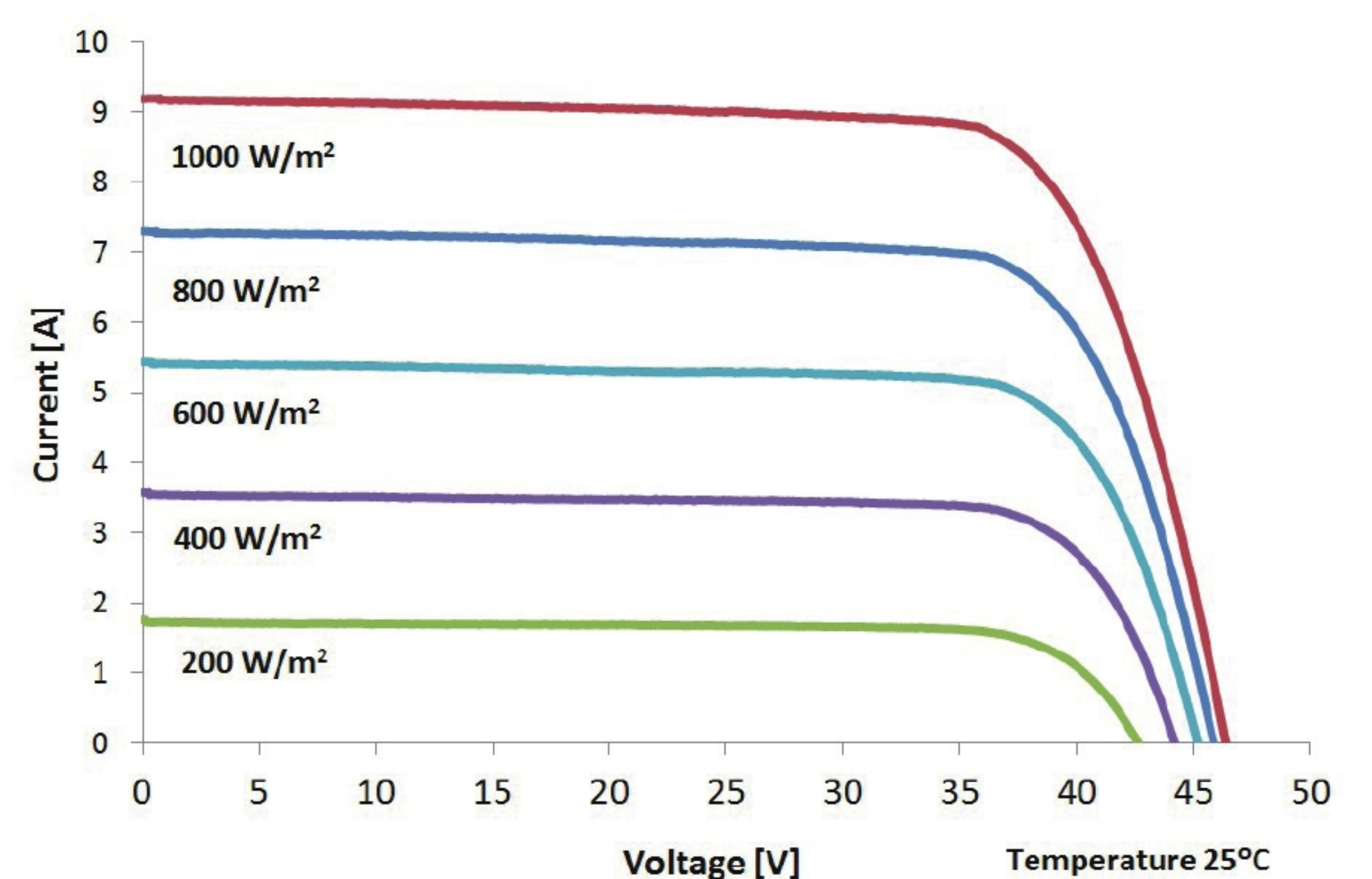
Front View & Back View



Dependence on Temperature



Dependence on Irradiance



Certificates

TUV Austria Certification, CE, ISO 9001:2015, ISO 14001: 2015, OHSAS 18001, FPC Factory Process Control certificate

Contact Us

Factory

Adress:

Sales Department:

Fax:

E-Mail:

AOSB ADANA Hacı Sabacı Organize Sanayi Bölgesi
 Acidere Mah. Hilal Cad. No:6 01410 Sarıçam/ADANA
 0090 322 457 32 32
 0090 322 457 43 43
 info@spenerji.com.tr

www.spenerji.com